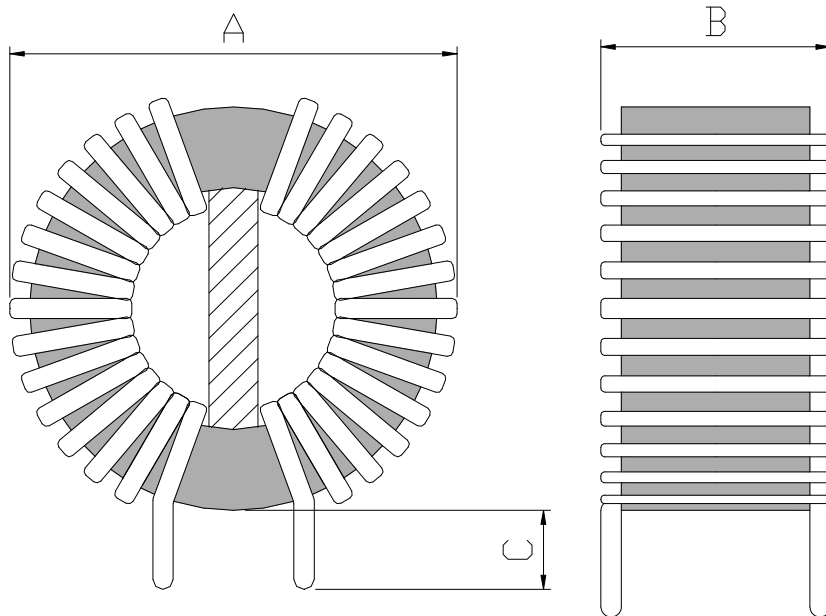




T Core

Choke



| 規格 | A (mm) | B (mm) | C (mm) | 電感(mH) | DCR(mΩ) |
|-------------|-----------|-----------|--------|----------|------------|
| T9*5*3-C | 10.3~10.9 | 4.3~4.4 | 10 REF | 1.7~0.17 | 35.1~8.1 |
| T10*6*4-C | 11.6~13.3 | 5.8~5.8 | 10 REF | 1.4~0.2 | 44.0~13.5 |
| T12*6*4-C | 13.4~13.5 | 5.2~6.1 | 10 REF | 2.0~1.1 | 54.5~24.8 |
| T14*9*5-C | 15.4~15.8 | 8.6~8.8 | 10 REF | 7.5~3.7 | 92.4~36.7 |
| T14*8*7-C | 15.2~15.8 | 6.2~9.3 | 10 REF | 5.6~2.6 | 69.7~57.1 |
| T16*9*5-C | 18.1~18.0 | 7.7~8.1 | 10 REF | 8.9~1.3 | 72.9~11.4 |
| T16*10*7-C | 17.7~18.4 | 8.9~9.0 | 10 REF | 8.1~1.7 | 62.3~14.3 |
| T16*12*8-C | 17.7~18.6 | 9.7~10.3 | 10 REF | 2.1~0.5 | 68.9~15.8 |
| T18*10*8-C | 20.1~20.5 | 11.7~12.3 | 10 REF | 18.8~3.6 | 94.8~16.7 |
| T18*10*10-C | 20.4~21.0 | 12.1~12.4 | 10 REF | 14.1~1.5 | 144.6~21.9 |
| T20*10*10-C | 22.5~23.6 | 12.2~12.3 | 10 REF | 1.2~0.7 | 19.2~10.2 |
| T20*12*10-C | 22.5~23.5 | 12.1~12.5 | 10 REF | 3.0~2.7 | 19.9~12.9 |
| T22*14*8-C | 24.7~25.2 | 9.1~10.4 | 10 REF | 3.7~2.3 | 21.6~11.2 |
| T25*15*12-C | 27.8~28.0 | 14.5~14.5 | 10 REF | 4.5~2.2 | 32.2~17.6 |
| T25*15*13-C | 27.6~28.0 | 14.6~14.4 | 10 REF | 6.9~3.6 | 38.5~17.7 |
| T31*19*13-C | 34.7~34.8 | 15.4~15.7 | 10 REF | 15.3~8.0 | 37.2~22.1 |